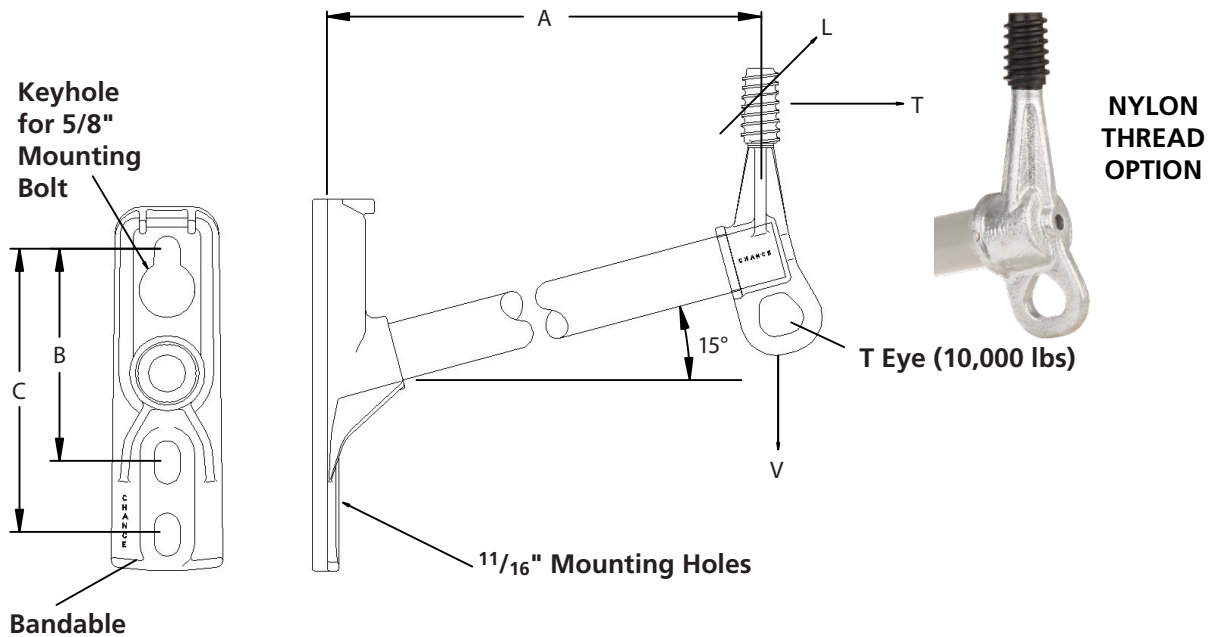


Single-Phase Vertical Pin Standoff Bracket (15°)



Base and End Fitting are hot-dip-galvanized ductile iron.

B Dimension is 6" for 1SBM series and 8" for 1SBH series
 C Dimension is 8" for 1SBM series and 10" for 1SBH series

Catalog Number	Length A	Minimum Ultimate*			Weight (Each)
		Vertical V	Longitudinal L	Transverse T	
Medium Duty 1½" (38 mm) Dia. Fiberglass Rod					
1SBM12V1	12" (30.5 cm)	1800 lbs. (816 kg)	1400 lbs. (635 kg)	2000 lbs. (907 kg)	6.8 lbs. (3.1 kg)
1SBM15V1	15" (38.1 cm)	1500 lbs. (680 kg)	1100 lbs. (499 kg)	2000 lbs. (907 kg)	7.2 lbs. (3.2 kg)
1SBM18V1	18" (45.7 cm)	1200 lbs. (544 kg)	950 lbs. (431 kg)	2000 lbs. (907 kg)	7.5 lbs. (3.4 kg)
1SBM21V1	21" (53.3 cm)	1000 lbs. (453 kg)	800 lbs. (363 kg)	2000 lbs. (907 kg)	7.9 lbs. (3.6 kg)
1SBM24V1	24" (61.0 cm)	900 lbs. (408 kg)	700 lbs. (318 kg)	2000 lbs. (907 kg)	8.3 lbs. (3.7 kg)
Heavy Duty 2" (51 mm) Dia. Fiberglass Rod					
1SBH12V1	12" (30.5 cm)	2550 lbs. (1156 kg)	2000 lbs. (907 kg)	2500 lbs. (1134 kg)	10.0 lbs. (4.5 kg)
1SBH18V1	18" (45.7 cm)	2250 lbs. (1020 kg)	1900 lbs. (862 kg)	2500 lbs. (1134 kg)	11.3 lbs. (5.1 kg)
1SBH20V1	20" (50.8 cm)	2250 lbs. (1020 kg)	1900 lbs. (862 kg)	2500 lbs. (1134 kg)	11.8 lbs. (5.3 kg)
1SBH24V1	24" (61.0 cm)	2100 lbs. (953 kg)	1850 lbs. (839 kg)	2500 lbs. (1134 kg)	12.7 lbs. (5.7 kg)
1SBH27V1	27" (68.6 cm)	1950 lbs. (885 kg)	1800 lbs. (816 kg)	2500 lbs. (1134 kg)	13.4 lbs. (6.1 kg)
1SBH30V1	30" (76.2 cm)	1800 lbs. (816 kg)	1750 lbs. (794 kg)	2500 lbs. (1134 kg)	14.0 lbs. (6.3 kg)

*Recommended maximum working load is 50% of minimum ultimate ratings listed.

ISB—V1 series has 1" plastisol coated threads

For 1" Nylon threads, replace the last "1" in number with "2"

For 1" lead threads, replace "V1" in number with "V3"

For 1.375" lead threads, replace "V1" in number with "V4"

Consult factory for additional lengths.

Add "SC" suffix to the end of the catalog number to denote Silicone Coated rod

